

Fellowes

Get Ready

for a healthier workspace



We are Fellowes.

Inspiring workspaces since 1917

For more than 100 years, Fellowes® has been helping people be the best they can be while at work. **More productive. More efficient. Happier. Healthier.**



What Fellowes Stands for.

We want professionals to be the best they can be. More productive. More efficient. Happier. Healthier. That's why as a fourth-generation family business we're committed to creating quality business machines, storage products, workspace wellness solutions and air purifiers. Designed to meet—and exceed—the needs of an ever-changing world. Whether in a corporate center or a home office, we'll help you be more productive so you can dominate the day. Because to be your very best, you need someone with experience in your corner. Fellowes Brands.

Discover a healthier workspace with Fellowes.

Only Fellowes offers comprehensive solutions to support holistic wellbeing with innovative designs that blend function, efficiency and aesthetics for effortless integration into the working day.

Helping people achieve their best.

At Fellowes, we are committed to providing workspace solutions that are intuitive, high quality, ergonomic, and dynamic, enabling you to be the best that you can be. **Work better. Feel better.**



More productive.

Fellowes is committed to making your workstation more dynamic, comfortable and effortlessly productive.

Happier.

Be the best you can be. Our products enable you to go beyond just working better.

More efficient.

Our products encourage efficiency and seamlessly integrate into your workspace.

Healthier.

We believe that office equipment should do more than improve your performance; it should improve your health.

Introducing the Levado™ Height Adjustable Desk



The Levado™ Height Adjustable Desk encourages users to incorporate movement into their day and reduce the negative effects of sitting. It features efficient SwiftLok™ assembly for quick set-up, saving time and money. A smarter design for smarter wellness savings.



SMART

The Levado™ features a sophisticated Feather-Lift™ control paddle with four programmable memory settings. This soft capacitive touch paddle is designed in a way users can easily lift and lower their table without looking or disrupting their day.



SOPHISTICATED

A truly smart desk, Levado™ features built-in collision detection. Cables are kept neat and tidy with a durable, metal cable tray.



QUICK

The Levado™ frame has been designed for quick and easy 90-second set up to save time and money. Simply fold out the legs and lock into place with patent-pending SwiftLok™ Design. It's quick and secure for a cost-effective installation.



FLEXIBLE

No tool attachment to new or existing work surfaces with optional VersaTop Clamps™. For a truly tailored solution our desktops are available in a full range of colors and sizes to suit all environments.



ADJUSTABLE

The premium three-stage legs have extended height range and adjust from 24.2" - 48.5", making the Levado™ ADA Compliant.



Lotus™

Sit-Stand Converter Line

Workstations that are as dynamic as you are.

As a leader in ergonomic workspace solutions, sit-stand working was a natural progression for Fellowes. However, we didn't want to just create any standard product. We wanted to design a range that was intuitive, easier to adjust and effortlessly integrated into the users day.

Our line of Lotus Sit-Stand workstations are purpose built for worry-free performance for a more productive, comfortable workday.



Lotus™ RT

A workstation that is as dynamic as you are. The Lotus RT provides ultimate flexibility with TriMotion™ design, making it easy to collaborate with colleagues. Single or dual monitor arms are included for a seamless experience.

Lotus™ DX

As the next generation of Sit-Stand converters, the Lotus DX blends Microban® anti-bacterial protection, wireless charging and convenient USB ports for the ultimate experience.

What does the Lotus bring to the table?

The Lotus range effortlessly turns your sedentary desk into an active and dynamic workstation, with innovative features such as wireless charging, Microban® anti-bacterial protection, and Smooth Lift Technology™, which provide effortless and stable movement.

The iconic waterfall design was expertly created to house desktop accessories such as devices and papers while the built in cable management system keeps you tangle free wherever you move.

All of these features add up to a more active and more productive workspace.



The Lotus™

The original Sit-Stand converter that embraces comfort and style. Arriving fully assembled, the Lotus is ready as soon as you are.

Lotus™ VE

The Lotus VE is a cost-effective solution for more compact workspaces. Available for use with a single or dual monitor.

Platinum Series Monitor Arms

View work differently

with **Fellowes Platinum Series Monitor Arms.**

Fellowes Platinum Series Monitor Arms help you enjoy a healthy working position and a more productive workspace. These fully independent adjustable monitor arms increase workspace flexibility & collaboration. Everything we create is designed around you and the way you work.

PRODUCTIVE

Spark collaboration, productivity and teamwork with effortless adjustment with innovative gas spring technology.

FLEXIBLE

With our Platinum Series Monitor Arms, you can tilt, rotate and move your screens. Choose from either horizontal or vertical stacking options.

CONNECTED

Dual USB 3.0 ports are conveniently located at the base for ultimate productivity. Integrated cable management allows for a tangle free, minimalistic look.





Ergonomic Workstation Solutions

Head-to-toe solutions for your ultimate comfort

Fellowes takes a holistic approach to healthier working for desk-based employees. To complement our range of premium ergonomic furniture, we offer head-to-toe solutions for your ultimate comfort. Our ergonomic workstation solutions are the ideal way to encourage good posture and comfortable positioning when working at a desk.

HEALTH-V™ WRIST SUPPORTS

The Health-V™ wrist supports encourage effortless, full, natural movement when using a mouse or keyboard. The patented Health-V™ Channel relieves wrist pressure to help prevent carpal tunnel syndrome, and built-in Microban® protection fights the growth of harmful bacteria for the lifetime of the product.

ACTIVEFUSION™ ANTI-FATIGUE MAT

The ActiveFusion™ Anti-Fatigue Mat provides cushioned comfort and an innovative step design to encourage stretching and healthy movement while standing at your desk.

PROFESSIONAL SERIES™ BACK SUPPORT WITH MICROBAN® PROTECTION

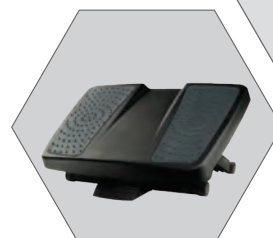
The Professional Series Back Support features lower lumbar support with three memory foam sections as well as mid spinal support to promote good posture. The Tri-tachment system eliminates the need for readjustment and built-in Microban® protection keeps product cleaner.

OFFICE SUITES™ MONITOR RISER

Designed to reduce neck strain by providing a comfortable viewing position. Adjusts to 3 different heights to maximize comfort. Features a convenient supply drawer with room to store a laptop under.

ULTIMATE FOOT SUPPORT

Elevate feet and legs to relieve lower back pressure with the ultimate foot support. The free-floating platform allows for intuitive rocking motion to keep legs moving.





The Design Story

for the Lotus™ Sit-Stand range

The need for a solution. The Fellowes Team, including Director of Innovation & Technology had been carefully observing the way people work and knew that the stagnation of sitting all day was detrimental to health. But existing products designed to encourage movement made sit-stand solutions an option, not an inspiration.

The challenge. The natural next step for Fellowes would be to bring sit-stand solutions to the marketplace like no other. The team defined the challenge: create an elegant design with movement and fluidity that not only moved beautifully, but inspired others to move effortlessly as well. The creation of the Sit-Stand range began.

Ease of motion was key. Early products in the sit-stand category were difficult to lift and lower. The team developed innovative approaches to smooth operation from sitting to standing, encouraging daily movement, simply by making it easier. The objective was to not make it look utilitarian. They negotiated a fresh dimension to make sure the movement was captured. They were looking to design an elegant, upscale platform for the user vs what we have seen in the market.

Effortless integration was essential.

The team knew nothing discouraged movement more than compromise. Too many sit-stands interfered with available workspaces and made them less likely to be used. The team focused

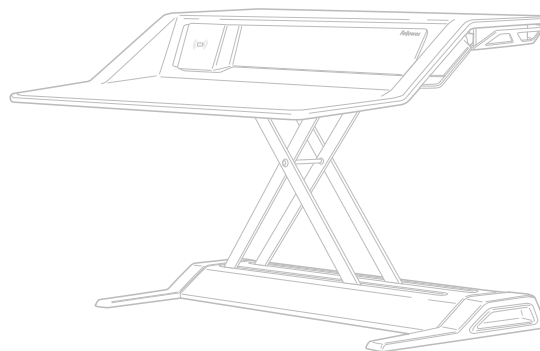
on detailed refinement. The goal: make it work anywhere. As a result, Fellowes Industrial Design Manager had an inspiration for a signature waterfall work surface that created more space, seamlessly connecting the keyboard tray with the monitor riser and provided easy access to phones and digital devices, documents and

“...create an elegant design that not only moved beautifully, but inspired others to move effortlessly as well.”

reminder notes. The team made a point to consider the user's point of view when creating the design. All the lines were sculpted so the movement would be seen from multiple points of view. The comprehensive design fully integrates into any office environment. Nothing like it exists in the market today.

A universal solution was necessary. Most importantly, we recognised that the Sit-Stand range must inspire many, not just a few. Today, the Sit-Stand range by Fellowes has received the attention of the global design community and has received several awards worldwide.

Distinctive designs that integrate into the modern office, that not only move effortlessly, but help users get out of a sedentary workplace.



Our Awards



The Design Story

for the Levado™ Height Adjustable Desk

Wellness Elevated. How can one design offer three solutions? This was the driving question for the Fellowes Horizon Team as they set out to create a remarkably different adjustable standing desk that would offer more functionality through design than any competitor.

Unfolding Performance. The Team focused on creating a leg base that assembled with dynamic folding mechanisms that quickly and easily snapped into place with precision and stability. The SwiftLok™ design turned setup into an effortless performance of functionality. An elegant design that forever ended the need for tools and trained installers.



Agile Transformation. The concept of an interchangeable desktop was something new to adjustable new desks yet had to be just as effortless as the leg base. With the development of VersaTop Clamps™ The Team enabled any user to change their desktop design as they wished. With the simple fastening system, the graceful design opened up the opportunity for

a variety of distinctive finishes. One could easily transform their desk with the changing office décor.

Control by Intuition. Starting with the idea that adjusting desk height should be simply intuitive, the Team also wanted it to be enjoyable to use. They continued to refine the responsive touch control module until perfected. Soft to the touch and simple to use, the Feather Lift™ control paddle gives you personalization at your fingertips.

“...adjusting desk height should be simply intuitive.”

A Height Adjustable Desk Design...Elevated. The result is the Levado, a singular superior height adjustable desk design that provides three solutions. Fast and secure assembly. Quick and easy customizable tops. Precise control by touch. Why stand for anything less?



We are global



Inspiring offices since 1917.

fellowes.com/locations



